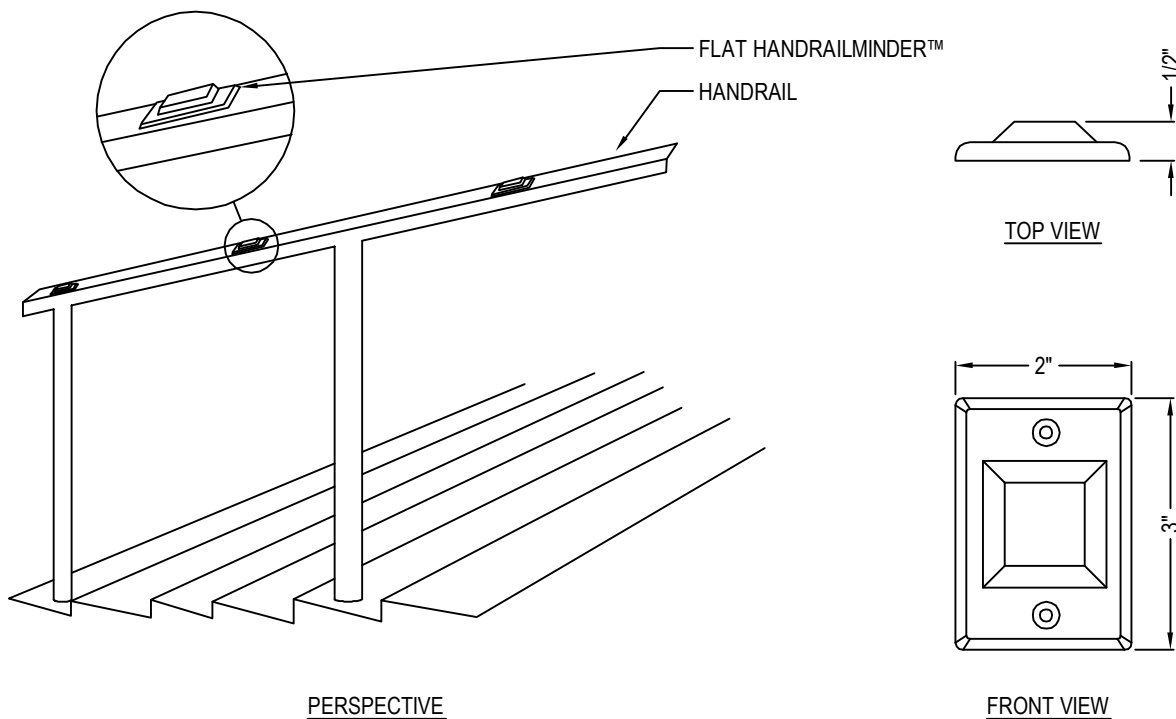




GRIND TO A HALT, INC.
 P.O. BOX 221
 ELBURN, IL 60119
 PHONE: (630) 365-2375
 FAX: (630) 365-1075
 www.grindtoahalt.com

- SELECT DESIRED MATERIAL AND FINISH:
- ALUMINUM WITH A CLEAR IRIDITE COATING
 (CAN BE PAINTED TO MATCH HANDRAILS)



THESE SKATEBOARD DETERRENTS ARE DESIGNED FOR EITHER ROUND OR FLAT-TOPPED HANDRAILS. THEY ARE MADE FROM ALUMINUM AND ARE SPECIALLY COATED WITH A PAINTABLE SURFACE, IF THE CUSTOMER WISHES TO MATCH THE DETERRENTS TO THE HANDRAIL. THEY ARE SUPPLIED WITH SELF-DRILLING AND THREADING STAINLESS STEEL SCREWS. MADE FROM ALUMINUM WITH A CLEAR IRIDITE COATING THAT CAN BE PAINTED TO MATCH YOUR HANDRAIL, OR USED IN ITS NATURAL SILVER COLOR.

NOTES:

1. INSTALLATION TO BE COMPLETED IN ACCORDANCE WITH MANUFACTURER'S SPECIFICATIONS.
2. ALL DIMENSIONS ARE CONSIDERED TRUE AND REFLECT MANUFACTURER'S SPECIFICATIONS.
3. DO NOT SCALE DRAWING.
4. CONTRACTOR'S NOTE: FOR PRODUCT AND COMPANY INFORMATION VISIT www.CADdetails.com/info REFERENCE NUMBER 4764-003.

