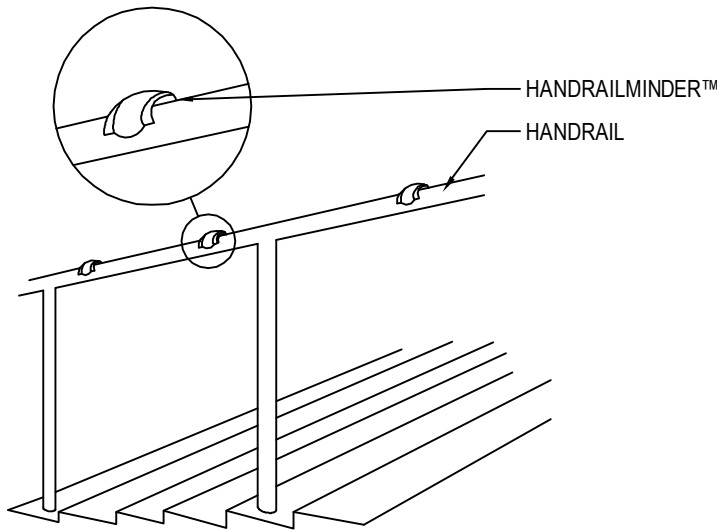




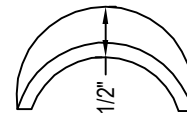
GRIND TO A HALT, INC.
 P.O. BOX 221
 ELBURN, IL 60119
 PHONE: (630) 365-2375
 FAX: (630) 365-1075
 www.grindtoahalt.com

SELECT DESIRED MATERIAL AND FINISH:

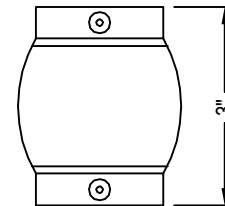
ALUMINUM WITH A CLEAR IRIDITE COATING
 (CAN BE PAINTED TO MATCH HANDRAILS)



INSTALLATION VIEW



TOP VIEW



FRONT VIEW

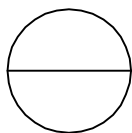
THESE SKATEBOARD DETERRENTS ARE DESIGNED FOR EITHER ROUND OR FLAT-TOPPED HANDRAILS. THEY ARE MADE FROM ALUMINUM AND ARE SPECIALLY COATED WITH A PAINTABLE SURFACE, IF THE CUSTOMER WISHES TO MATCH THE DETERRENTS TO THE HANDRAIL. THEY ARE SUPPLIED WITH SELF-DRILLING AND THREADING STAINLESS STEEL SCREWS. MADE FROM ALUMINUM WITH A CLEAR IRIDITE COATING THAT CAN BE PAINTED TO MATCH YOUR HANDRAIL, OR USED IN ITS NATURAL SILVER COLOR.

FEATURES:

- THE HANDRAIL MINDER IS MADE OUT OF ALUMINUM AND IS SPECIALLY COATED SO THAT IT CAN BE PAINTED TO MATCH EXISTING HANDRAILS.
- THESE CAN BE CUSTOM MADE IN DIFFERENT SIZES AND MATERIALS.
- THE STANDARD SIZE WILL FIT 1-5/8" O.D. HANDRAILS.

NOTES:

1. INSTALLATION TO BE COMPLETED IN ACCORDANCE WITH MANUFACTURER'S SPECIFICATIONS.
2. ALL DIMENSIONS ARE CONSIDERED TRUE AND REFLECT MANUFACTURER'S SPECIFICATIONS.
3. DO NOT SCALE DRAWING.
4. CONTRACTOR'S NOTE: FOR PRODUCT AND COMPANY INFORMATION VISIT www.CADdetails.com/info REFERENCE NUMBER 4764-002.



ROUND HANDRAILMINDER™

SKATEBOARD AND BIKE DETERRANT